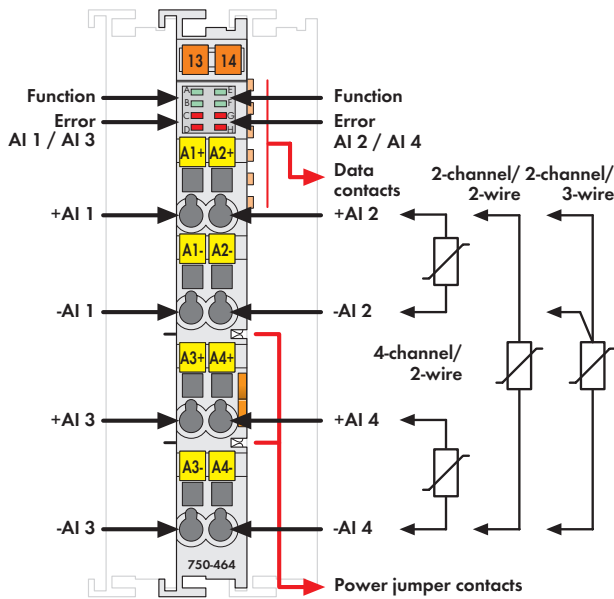
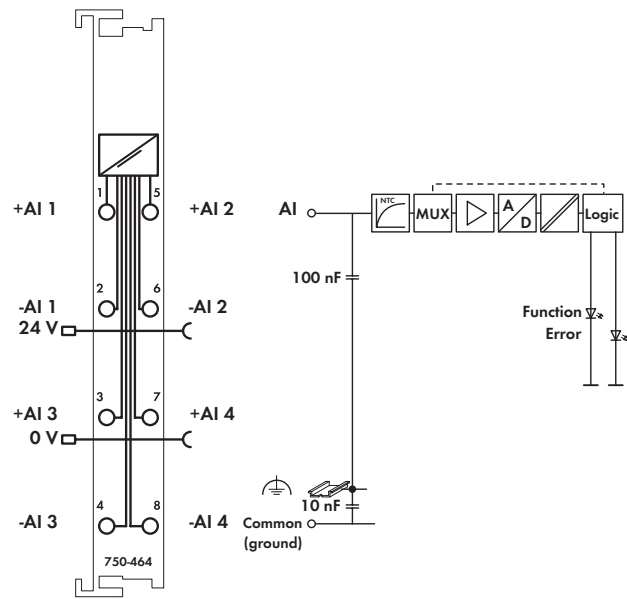


2-/4-Channel Analog Input Module for RTDs



Delivered without miniature WSB markers



The input module allows the direct connection of Pt or Ni resistance sensors and potentiometers. It can be operated as a 2-channel (2- and 3-conductor technology) or 4-channel (2-conductor technology) module. The module automatically linearizes the entire temperature range. A sensor error is indicated by a red LED. The module can be configured via WAGO-I/O-CHECK or GSD files. The module stands out thanks to its multiple setting options and high accuracy.

Technical data for the 750-464/020-000 model:

- Number of inputs: 4
- Sensor types: NTC 10 kOhm, NTC 20 kOhm, NTC 10 kOhm (Thermokon)
- Sensor connection: 2-conductor
- Temperature range: -30 °C ... +120 °C
- Measuring error: ≤ 2 K over the entire temperature range

Description	Item No.	Pack. Unit
2/4 AI RTD, configurable	750-464	1
4 AI NTC, configurable	750-464/020-000	1
Differing technical data see text		
Accessories	Item No.	Pack. Unit
753 Series Connectors	753-110	25
Coding elements	753-150	100
Miniature WSB Quick marking system		
plain	248-501	5
with marking	see pages 352 ... 353	
Approvals	Also see "Approvals Overview" in Section 1	
Conformity marking	CE	
Shipbuilding (versions upon)	ABS, DNV, GL, KR	
UL 508	pending	
ANSI/ISA 12.12.01	pending	
EN 60079-0, -15	pending	
EN 61241-0, -1		

Technical Data	
Number of inputs	2 / 4 (default setting)
Power supply	via system voltage DC/DC
Current consumption typ. (internal)	50 mA
Sensor types	Pt 100 (default setting), Pt 200, Pt 500, Pt 1000, Ni 100, Ni 120, Ni 1000, Potentiometer, 10 Ohm ... 1.2 kOhm, 10 Ohm ... 5 kOhm
Sensor connection	2-conductor (default setting), 3-conductor (2-channel operation)
Temperature range	-200 °C ... +850 °C (Pt100), -60 °C ... +300 °C (Ni 100, Ni 1000), -60 °C ... +250 °C (Ni 1000 TK5000), -80 °C ... +260 °C (Ni 120)
Resolution (over entire range)	0.1 °C
Measurement repetition rate (standard)	1.1 s
Measurement repetition rate (2-channel/2-conductor)	0.63 s
Response time (max.)	4 s
Measuring error (25 °C)	≤ 1 K in the entire temp. range, ≤ 0.5 K in the restricted temp. range* * -30 °C ... +120 °C, Pt 1000
Temperature coefficient	≤ 20ppm/K
Isolation	500 V system/supply
Measuring current (typ.)	≤ 350 µA
Bit width	4 (2) x 16 bits data 4 (2) x 8 bits control/status (option)
Wire connection	CAGE CLAMP®
Cross sections	0.08 mm² ... 2.5 mm² / AWG 28 ... 14
Stripped lengths	8 ... 9 mm / 0.33 in
Width	12 mm
Weight	60 g
EMC: CE - immunity to interference	acc. to EN 61000-6-1 (2007), EN 61000-6-2 (2005)
EMC: CE - emission of interference	acc. to EN 61000-6-3 (2007)