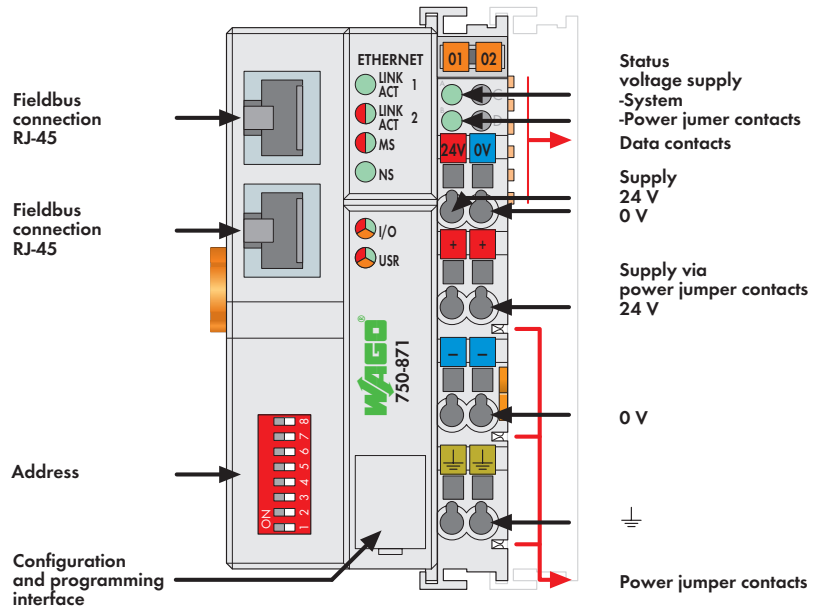



ETHERNET TCP/IP 2 Port Programmable Fieldbus Controller

10/100 Mbits/s; digital and analog signals

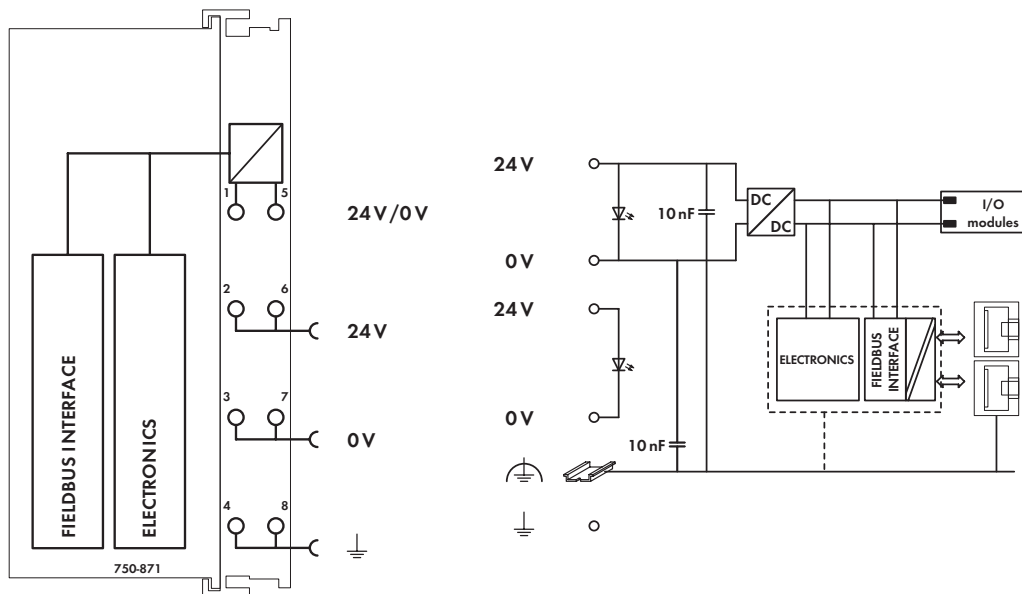


This fieldbus controller connects the WAGO-I/O-SYSTEM to the ETHERNET fieldbus.
 The fieldbus controller automatically configures, creating a local process image that may include analog, digital or specialty modules. Analog and specialty module data is sent via words and/or bytes; digital data is sent bit by bit.
 This fieldbus controller permits data transmission rates of 10/100 Mbits/s and is programmable in accordance with IEC 61131-3. The controller provides 512 KB program memory, 256 KB data memory and 24 KB retain memory. It is capable of multitasking, has a battery-backed, real-time clock and is based on a 32-bit CPU.

The controller offers many different application protocols which can be used for data acquisition or control (MODBUS, ETHERNET/IP) or for system management and diagnostics (HTTP, BootP, DHCP, DNS, SNTP, FTP, SNMP and SMTP).
 HTML pages can be placed on an internal server for use in Web-based applications.
 The second Ethernet interface allows daisy-chaining up to a maximum segment length of 100 m. Due to signal propagation time, the maximum number of controllers that can be wired in series is 20.
 In addition, the controller provides the option of configuring the IP address via built-in DIP switch.

Description	Item no.	Pack. unit
ETHERNET TCP/IP 2-port Controller	750-871	1
Accessories		
Miniature WSB Quick marking system		
 plain	248-501	5
with marking	see Full Line Catalog 08/09 Volume 3, Section 1	
Approvals		
Conformity marking	CE	
UL 508		
EN 60079-15	I M2 / II 3 GD Ex nA nL IIC T4	
Marine applications	GL	

System Data	
No. of controllers connected to Master	limited by ETHERNET specification
Transmission medium	Twisted Pair S-UTP 100 Ω Cat 5
Max. length of fieldbus segment	100 m hub station and 750-871; max. length of network limited by ETHERNET specification
Baud rate	10/100 Mbits/s
Buscoupler connection	2 x RJ-45
Protocols	MODBUS/TCP (UDP), ETHERNET/IP, HTTP, BootP, DHCP, DNS, SNTP, FTP, SNMP
Programming	WAGO-I/O-PRO CAA
IEC 61131-3	IL, LD, FBD, ST, FC



Technical Data

Number of I/O modules	64
with bus extension	250
Fieldbus	
Max. input process image	2 Kbytes
Max. output process image	2 Kbytes
Max. input variables	512 bytes
Max. Output variables	512 bytes
Configuration	via PC
Program memory	512 Kbytes
Data memory	256 Kbytes
Non-volatile memory (retain)	24 Kbytes
	(16 Kbytes retain, 8 Kbytes flag)
Voltage supply	DC 24 V (-25 % ... +30 %)
Max. input current (24 V)	500 mA
Efficiency of the power supply	87 %
Internal current consumption (5 V)	300 mA
Total current for I/O modules (5 V)	1700 mA
Isolation	500 V system/supply
Voltage via power jumper contacts	DC 24 V (-25 % ... +30 %)
Current via power jumper contacts (max.)	DC 10 A

General Specifications

Operating temperature	0 °C ... +55 °C
Wire connection	CAGE CLAMP®
Cross sections	0.08 mm ² ... 2.5 mm ² / AWG 28 ... 14
Stripped lengths	8 ... 9 mm / 0.33 in
Dimensions (mm) W x H x L	51 x 65 x 100
	Height from upper-edge of DIN 35 rail
Weight	184 g
Storage temperature	-25 °C ... +85 °C
Relative air humidity (no condensation)	95 %
Vibration resistance	acc. to IEC 60068-2-6
Shock resistance	acc. to IEC 60068-2-27
Degree of protection	IP20
EMC CE -Immunity to interference	acc. to EN 61000-6-2 (2005)
EMC CE -Emission of interference	acc. to EN 61000-6-3 (2007)
EMC marine applications -	
Immunity to interference	acc. to Germanischer Lloyd (2003)
EMC marine applications -	
Emission of interference	acc. to Germanischer Lloyd (2003)