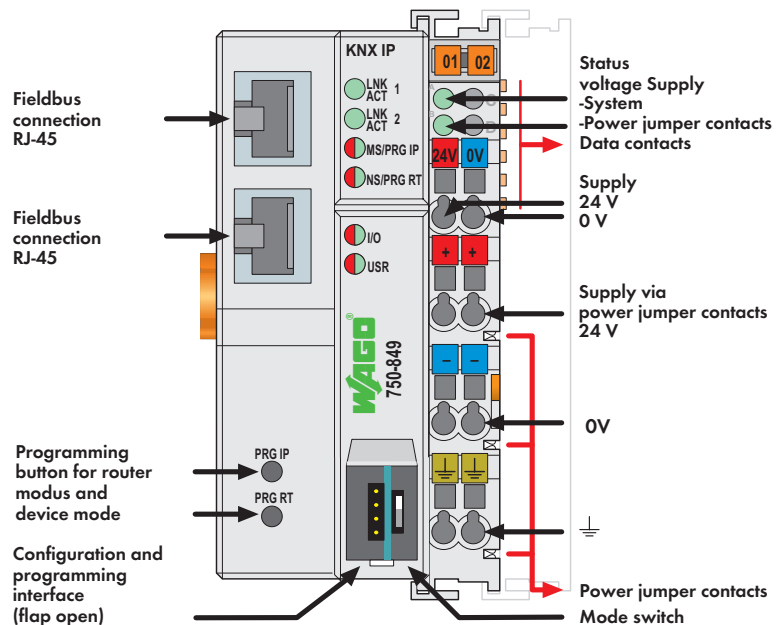


KNX IP Programmable Fieldbus Controller



10/100 Mbps/s; digital and analog signals



The controller can include up to two logical KNX devices at the same time.

- In conjunction with the WAGO-I/O-SYSTEM, the KNX IP Controller can be used as a programmable application controller within the KNX IP network. The controller supports 750/753 Series digital, analog and speciality modules. The controller facilitates data transmission rates of 10/100 Mbps/s. It is programmable in accordance with IEC 61131-3. KNX objects of any type (EIS/DPT) can be created using the programming tool. Libraries including ready-made function blocks are readily available on the WAGO Web site for programming. The controller supports a maximum of 253 communication objects, 254 group addresses and 254 associations.
- Supported DPTs: All (acc. to KNX standard 03_07_02 Datapoint Types V1.0).
- Combined with the KNX/EIB/TP1 module, the KNX IP Controller 750-849 can be operated as router on an IP backbone (Ethernet). No IEC application is required for the router functionality.

Both devices are commissioned and configured in the ETS3 using the WAGO product database. The software includes a plug-in that automatically installs and opens for configuration. The KNX IP Controller features an integrated 2-port 10/100 Mbps/s switch and allows easy line structure creation without requiring additional network components. The maximum number of controllers that can be wired in series is 20. An internal server is available for Web-based applications. The controller has 512 KB program memory, 256 KB data memory and 24 KB retentive memory. It is capable of multitasking, has a battery-backed, real-time clock and is based on a 32-bit CPU. The controller offers many different application protocols for control tasks (Modbus, KNXnet/IP), as well as for system management and diagnostics (HTTP, BootP, DHCP, DNS, AutoIP, SNMP, FTP, SMTP and SMTP). The number of KNX/EIB/TP1 modules (750-646) that are supported by the KNX IP Controller does not depend on the application.

| Description | Item no. | Pack. unit |
|--|---|--|
| KNX IP Controller | 750-849 | 1 |
| Accessories | | |
| Miniature WSB Quick marking system | | |
|  | plain | 248-501 5 |
| | with marking | see Full Line Catalog 08/09 Volume 3, Section 1 |
| WAGO ETS3 plug-in (included in WAGO ETS3 product database) | | |
| Download: www.wago.com : Service → Downloads → Gebäudeautomation → ETS3 → Produktdatenbank | | |
| Approvals | | |
| Conformity marking | CE | |
| UL 508 | | |
| Marine applications | GL | |
| KNX certified |  (pending) | |

| System Data | |
|--|---|
| No. of controllers | limited by network topology |
| Transmission medium | S-UTP 100 Ω Cat 5 |
| Max. length of fieldbus segment | 100 m limited by IEEE 802.3 |
| Max. length of network | ≤ 2000 m; max. 20 controllers in series |
| Baud rate | 10/100 Mbps/s |
| Buscoupler connection | 2 x RJ-45 (linked via 2-port switch) |
| Protocols | KNXnet/IP, MODBUS/TCP (UDP), HTTP, BootP, DHCP, DNS, AutoIP, SNMP, FTP, SNMP V3, SMTP |
| Programming | WAGO-I/O-PRO CAA |
| IEC 61131-3 | IL, LD, FBD (CFC), ST, FC |
| KNX-specific | |
| KNX/TP1 bus specification | 1.0 |
| Commissioning (KNX side) | with ETS3 plug-in, 2 programming buttons |
| Device mode: | |
| Number of communication objects | 253 |
| Number of group addresses | 254 |
| Number of associations | 254 |
| Supported DPTs | All (*acc. to KNX Specification 03_07_02 Data Point Types V 1.0) |
| Max. number of logical KNX devices, simultaneous | 2; 1. device, 2. router (with 1. KNX/EIB/TP1 module) |

