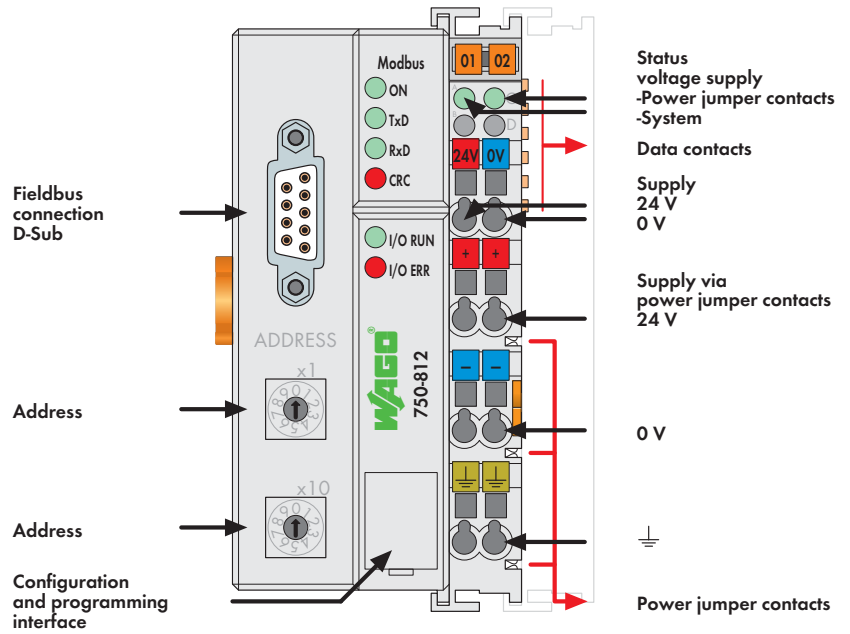


MODBUS Programmable Fieldbus Controller

RS 232/485; 150 (1200) baud ... 19.2 (115.2) Kbaud; digital and analog signals



The programmable fieldbus controller for MODBUS is an expansion of the WAGO-I/O-SYSTEM.

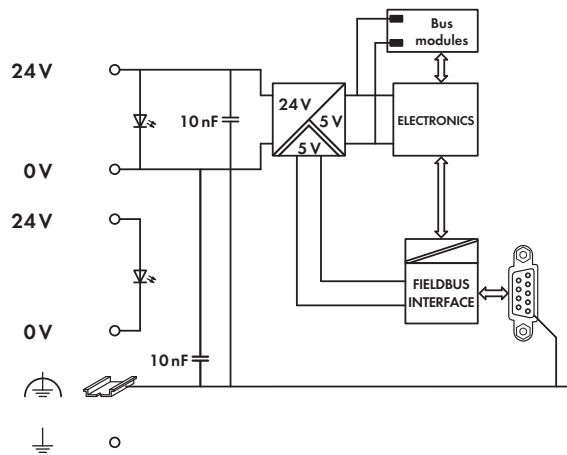
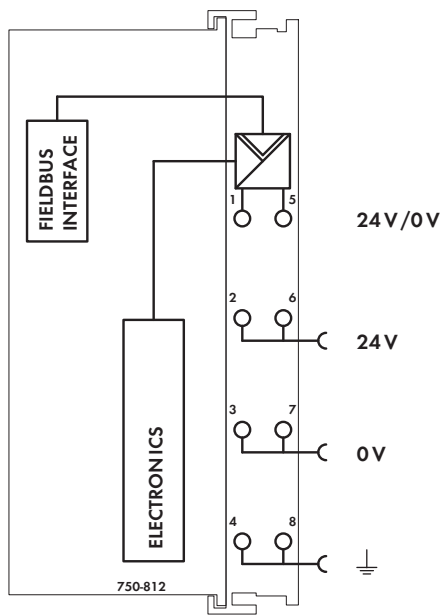
This controller combines the WAGO fieldbus coupler for MODBUS with the functionality of a PLC. Programming of the application is performed in accordance with IEC 61131-3. The programmer can access all fieldbus and I/O data.

Characteristics and use:

- The use of decentralized control can better support a PLC or PC
- Complex applications can be divided into multiple tasks
- Programmable response in the event of a fieldbus failure
- Signal pre-processing reduces fieldbus transmissions
- Peripheral equipment can be controlled directly, resulting in faster system response times
- Simple, self-sufficient control

Description	Item no.	Pack. unit
Contr. MODBUS / RS 485 / 150 ... 19200 Bd	750-812	1
Contr. MODBUS / RS 232 / 150 ... 19200 Bd	750-814	1
Contr. MODBUS / RS 485 / 1.2 ... 115.2 kBd	750-815	1
Contr. MODBUS / RS 232 / 1.2 ... 115.2 kBd	750-816	1
Contr. MODBUS / RS 485 / 150 ... 19200 Bd/T	750-812/025-000	1
Operating temperature -20 °C ... +60 °C		
Contr. MODBUS / RS 485 / 1.2 ... 115.2 kBd/T	750-815/025-000	1
Operating temperature -20 °C ... +60 °C		
Accessories		
Miniature WSB quick marking system,		
plain	248-501	5
with marking	see pages 256 ... 257	
Standards and Approvals (Product variations available upon request)		
Conformity marking	CE	
UL 508		
ANSI/ISA 12.12.01	Class I, Div. 2, Grp. ABCD, T4	
EN 60079-15	I M2 / II 3 GD Ex nA nL IIC T4	
	BR-Ex nA II T4	
Marine applications	see "Approvals Overview" in section 1	

System Data	
No. of controllers connected to Master	99 with repeater
Max. no. of I/O points	ca. 6000 (depends on master)
Transmission medium	Shielded Cu cable 2 (4) x 0.25 mm ²
Max. length of fieldbus segment	1200 m (depends on baud rate/cable)
Baud rate	150 (1200) baud ... 19.2 (115.2) Kbaud
Buscoupler connection	1 x D-Sub 9; socket
Programming	WAGO-I/O-PRO 32
IEC 61131-3	IL, LD, FBD, ST, FC



Technical Data

Number of I/O modules	64
Fieldbus	
Max. input process image	1024 bytes
Max. output process image	1024 bytes
Max. input variables	512 bytes
Max. output variables	512 bytes
Configuration	automatic and via switches
Program memory	32 Kbytes
Data memory	32 Kbytes
Non-volatile memory (retain)	8 Kbytes
Cycle time	< 3 ms for 1,000 statements / 256 dig. I/Os
Voltage supply	DC 24 V (-25 % ... +30 %)
Max. input current (24 V)	500 mA
Efficiency of the power supply	87 %
Internal current consumption (5 V)	350 mA
Total current for I/O modules (5 V)	1650 mA
Isolation	500 V system/supply
Voltage via power jumper contacts	DC 24 V (-25 % ... +30 %)
Current via power jumper contacts (max.)	DC 10 A

General Specifications

Operating temperature	0 °C ... +55 °C
Wire connection	CAGE CLAMP®
Cross sections	0.08 mm ² ... 2.5 mm ² / AWG 28 ... 14
Stripped lengths	8 ... 9 mm / 0.33 in
Dimensions (mm) W x H x L	51 x 65 x 100
	Height from upper-edge of DIN 35 rail
Weight	205 g
Storage temperature	-25 °C ... +85 °C
Relative air humidity (no condensation)	95 %
Vibration resistance	acc. to IEC 60068-2-6
Shock resistance	acc. to IEC 60068-2-27
Degree of protection	IP20
EMC CE-Immunity to interference	acc. to EN 50082-2 (1996)
EMC CE-Emission of interference	acc. to EN 50081-1 (1993)
EMC marine applications -	
Immunity to interference	acc. to Germanischer Lloyd (2003)
EMC marine applications -	
Emission of interference	acc. to Germanischer Lloyd (2003)