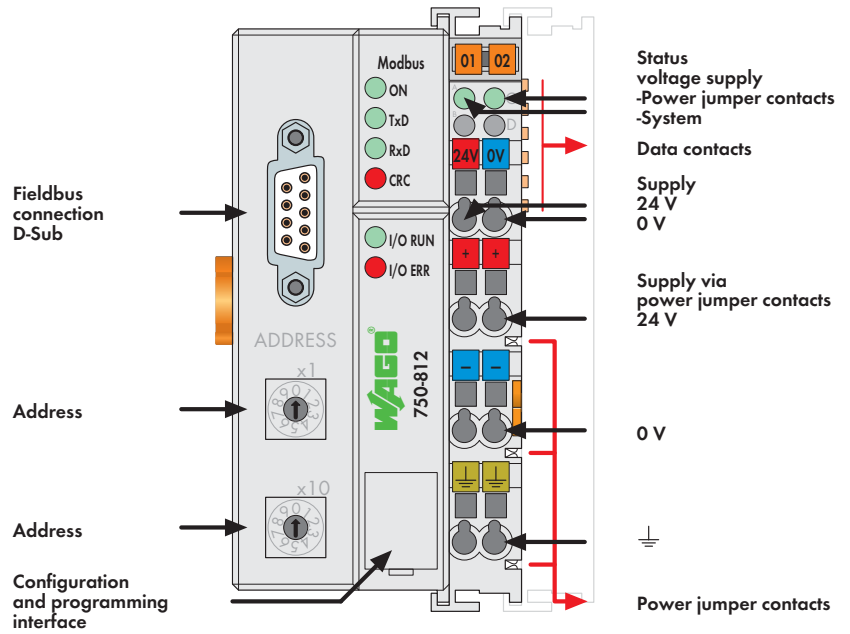


MODBUS Programmable Fieldbus Controller

RS 232/485; 150 (1200) baud ... 19.2 (115.2) Kbaud; digital and analog signals



The programmable fieldbus controller for MODBUS is an expansion of the WAGO-I/O-SYSTEM.

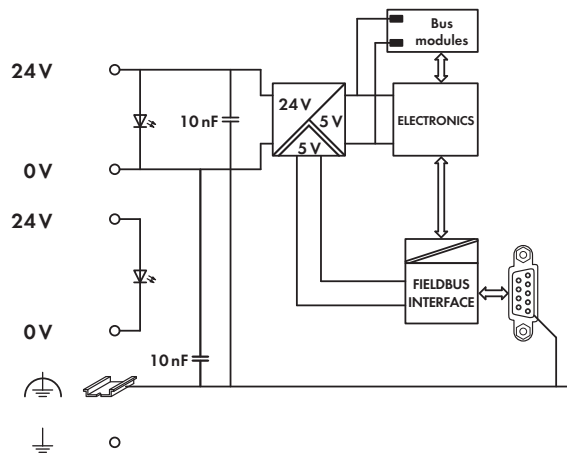
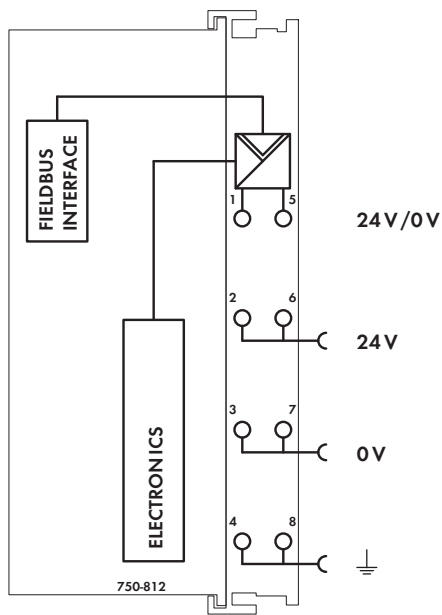
This controller combines the WAGO fieldbus coupler for MODBUS with the functionality of a PLC. Programming of the application is performed in accordance with IEC 61131-3. The programmer can access all fieldbus and I/O data.

Characteristics and use:

- The use of decentralized control can better support a PLC or PC
- Complex applications can be divided into multiple tasks
- Programmable response in the event of a fieldbus failure
- Signal pre-processing reduces fieldbus transmissions
- Peripheral equipment can be controlled directly, resulting in faster system response times
- Simple, self-sufficient control

Description	Item no.	Pack. unit
Contr. MODBUS / RS 485 / 150 ... 19200 Bd	750-812	1
Contr. MODBUS / RS 232 / 150 ... 19200 Bd	750-814	1
Contr. MODBUS / RS 485 / 1.2 ... 115.2 kBd	750-815	1
Contr. MODBUS / RS 232 / 1.2 ... 115.2 kBd	750-816	1
Contr. MODBUS / RS 485 / 150 ... 19200 Bd/T	750-812/025-000	1
Operating temperature -20 °C ... +60 °C		
Contr. MODBUS / RS 485 / 1.2 ... 115.2 kBd/T	750-815/025-000	1
Operating temperature -20 °C ... +60 °C		
Accessories		
Miniature WSB quick marking system,		
plain	248-501	5
with marking	see pages 256 ... 257	
Standards and Approvals (Product variations available upon request)		
Conformity marking	CE	
UL 508		
ANSI/ISA 12.12.01	Class I, Div. 2, Grp. ABCD, T4	
EN 60079-15	I M2 / II 3 GD Ex nA nL IIC T4	
	BR-Ex nA II T4	
Marine applications	see "Approvals Overview" in section 1	

System Data	
No. of controllers connected to Master	99 with repeater
Max. no. of I/O points	ca. 6000 (depends on master)
Transmission medium	Shielded Cu cable 2 (4) x 0.25 mm ²
Max. length of fieldbus segment	1200 m (depends on baud rate/cable)
Baud rate	150 (1200) baud ... 19.2 (115.2) Kbaud
Buscoupler connection	1 x D-Sub 9; socket
Programming	WAGO-I/O-PRO 32
IEC 61131-3	IL, LD, FBD, ST, FC



Technical Data		General Specifications	
Number of I/O modules	64	Operating temperature	0 °C ... +55 °C
Fieldbus		Wire connection	CAGE CLAMP®
Max. input process image	1024 bytes	Cross sections	0.08 mm ² ... 2.5 mm ² / AWG 28 ... 14
Max. output process image	1024 bytes	Stripped lengths	8 ... 9 mm / 0.33 in
Max. input variables	512 bytes	Dimensions (mm) W x H x L	51 x 65 x 100
Max. output variables	512 bytes		Height from upper-edge of DIN 35 rail
Configuration	automatic and via switches	Weight	205 g
Program memory	32 Kbytes	Storage temperature	-25 °C ... +85 °C
Data memory	32 Kbytes	Relative air humidity (no condensation)	95 %
Non-volatile memory (retain)	8 Kbytes	Vibration resistance	acc. to IEC 60068-2-6
Cycle time	< 3 ms for 1,000 statements / 256 dig. I/Os	Shock resistance	acc. to IEC 60068-2-27
Voltage supply	DC 24 V (-25 % ... +30 %)	Degree of protection	IP20
Max. input current (24 V)	500 mA	EMC CE-Immunity to interference	acc. to EN 50082-2 (1996)
Efficiency of the power supply	87 %	EMC CE-Emission of interference	acc. to EN 50081-1 (1993)
Internal current consumption (5 V)	350 mA	EMC marine applications -	
Total current for I/O modules (5 V)	1650 mA	Immunity to interference	acc. to Germanischer Lloyd (2003)
Isolation	500 V system/supply	EMC marine applications -	
Voltage via power jumper contacts	DC 24 V (-25 % ... +30 %)	Emission of interference	acc. to Germanischer Lloyd (2003)
Current via power jumper contacts (max.)	DC 10 A		